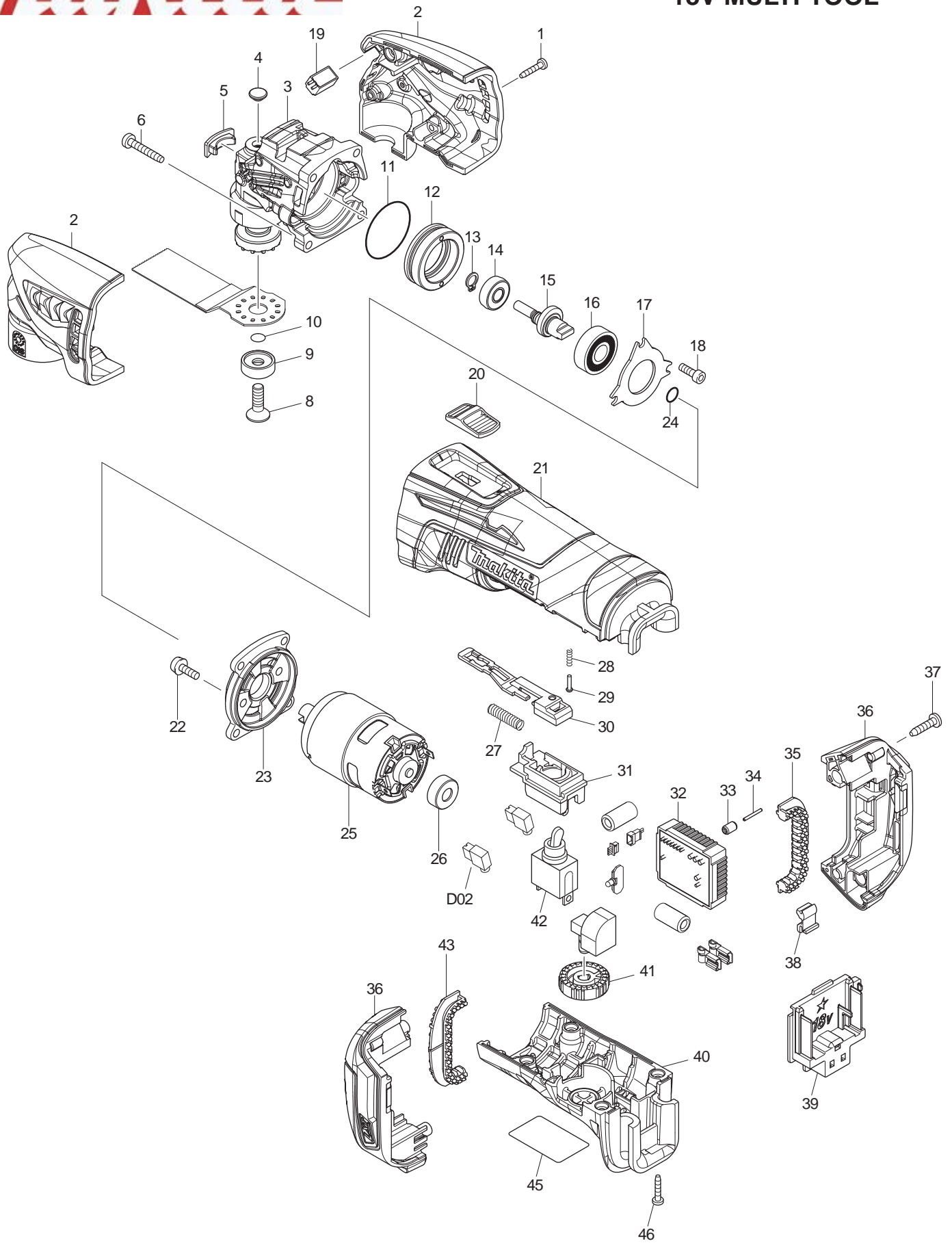




10 - 2014  
DTM50ZKX1  
18V MULTI-TOOL



Item No	Type	Sub	Part No	Description	Qty	Unit
001			266429-2	TAPPING SCREW 3X16	4	PC.
002			187346-2	HEAD COVER SET	1	SET
003			142400-9	CRANK HOUSING COMPLETE	1	PC.
004			424511-5	CRANK HOUSING CAP B	1	PC.
005			424510-7	CRANK HOUSING CAP A	1	PC.
006			266374-1	TAPPING SCREW 4X25	4	PC.
008		2	265674-6	* HEX. BOLT M6X14	1	PC.
011			213479-8	O RING 33	1	PC.
012			326187-3	BEARING BOX	1	PC.
013			961003-8	RETAINING RING S-7	1	PC.
014			211392-4	SPHERE BEARING 706	1	PC.
015			326186-5	CRANK SHAFT	1	PC.
016			210059-1	BALL BEARING 600DDW	1	PC.
017			285856-4	BEARING RETAINER	1	PC.
018			922117-8	HEX. SOCKET HEAD BOLT M4X12	3	PC.
019			620146-2	LED CIRCUIT	1	PC.
020			453761-5	SWITCH KNOB	1	PC.
021			142651-4	MOTOR HOUSING COMPLETE	1	PC.
		INC.	803R06-3	CAUTION LABEL	1	PC.
022			911516-9	PAN HEAD SCREW M4X12	2	PC.
023			453762-3	HOUSING COVER	1	PC.
024			213030-4	O RING 8	1	PC.
025			629956-4	DC MOTOR	1	PC.
	26		424520-4	CAP	1	PC.
027			234263-8	COMPRESSION SPRING 5	1	PC.
028			233002-3	COMPRESSION SPRING 3	1	PC.
029			255058-6	RIVET 2	1	PC.
030			453757-6	SWITCH LEVER	1	PC.
031			453760-7	SWITCH CASE	1	PC.
032			632A03-8	CONTROLLER UNIT	1	PC.
033			263036-2	RUBBER PIN 5	1	PC.
034			268184-2	PIN 1.5	1	PC.
035			424473-7	CUSHION RUBBER	1	PC.
036			187610-1	BATTERY HOUSING SET	1	SET
		INC.	263005-3	RUBBER PIN 6	2	PC.
037			266326-2	TAPPING SCREW 4X18	2	PC.
038			424476-1	CUSHION	1	PC.
039			643852-2	TERMINAL	1	PC.
040			453756-8	HANDLE COVER	1	PC.
041			271617-8	DIAL 28	1	PC.
042			651423-1	SWITCH	1	PC.
043			424473-7	CUSHION RUBBER	1	PC.
045			815M77-8	NAME PLATE F/DTM50	1	PC.
046			266429-2	TAPPING SCREW 3X16	4	PC.
C01E			875981-5	CARTON FOR DTM50ZKX1	1	PC.
D01			652008-6	PAN HEAD SCREW M3.5X7	2	PC.
D02			632E76-5	FLAG TERMINAL	2	PC.

**ACCESSORIES**

- See catalogue or visit [www.makita.ca](http://www.makita.ca) for more optional accessories -

A01			783233-9	HEX. WRENCH 5	1	PC.
A02			---	BATTERY CHARGER		
A03			---	18V LI-ION BATTERY		
A04			---	LI-ION BATTERY ACCESSORIES		
A05E			141562-0	PLASTIC CASE COMPLETE	1	PC.
		INC.	162302-3	LATCH	2	PC.
		INC.	324319-6	SHAFT	1	PC.
		INC.	451749-9	HANDLE	1	PC.

Item No	Type	Sub	Part No	Description	Qty	Unit
A06			196271-6	ADAPTER A SET F/OTHER	1	PC.
A07			313249-6	ADAPTER C F/DREMEL	1	PC.
A08E	1		B-21325	SEGMENT SAW BLADE 85 TMA006	1	PC.
	2		B-67016	SEGMENT SAW BLADE 85 TMA045	1	PC.
A09E			B-21353	PLUNGE CUT SAW BLADE 28 TMA009	1	PC.
A09G			B-67066	PLUNGE CUT SAW BLADE 32 TMA051 HCS	1	PC.
A10E	2		B-46202	SANDING PAD	1	PC.
	3		B-67169	SANDING PAD	1	PC.
A11E			821538-0	TOOL BOX	1	PC.
A12	1		195965-0	DUST ATTACHMENT SET	1	PC.
	2		199621-4	DUST ATTACHMENT SET	1	PC.
		INC.	422362-0	FELT RING 47	1	PC.
		INC.	459362-7	SPACER	1	PC.
A13			---	MULTI TOOL ACCESSORIES		

### Service Changes

#### 1. Changes of Holder Bolt and HSCH Screw

(T/I# C5179)

Item No.	Description	Type 1	Type 2
8	Screw / Bolt	266783-4	265674-6
9	Outer Flange	224455-7	----
10	O Ring 5	213021-5	----

Above parts are interchangeable as a set